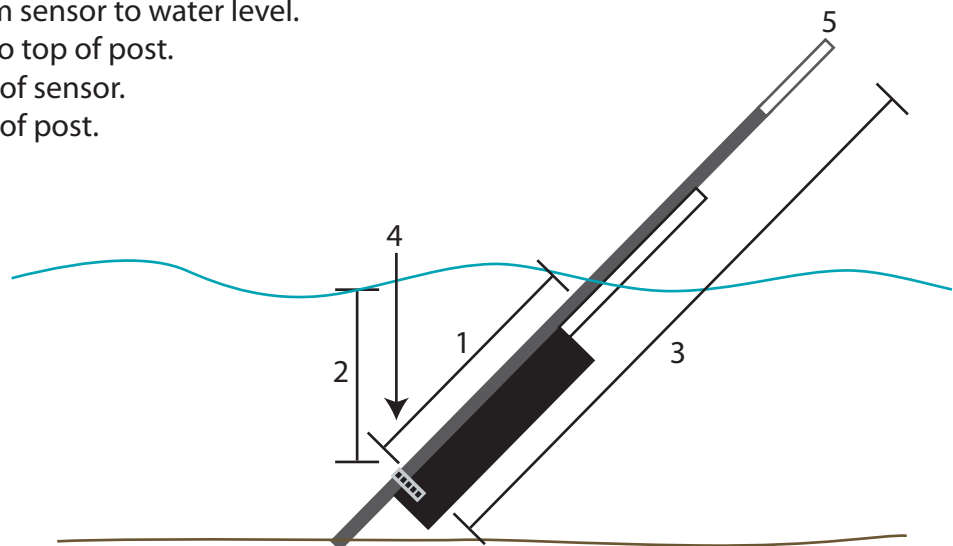
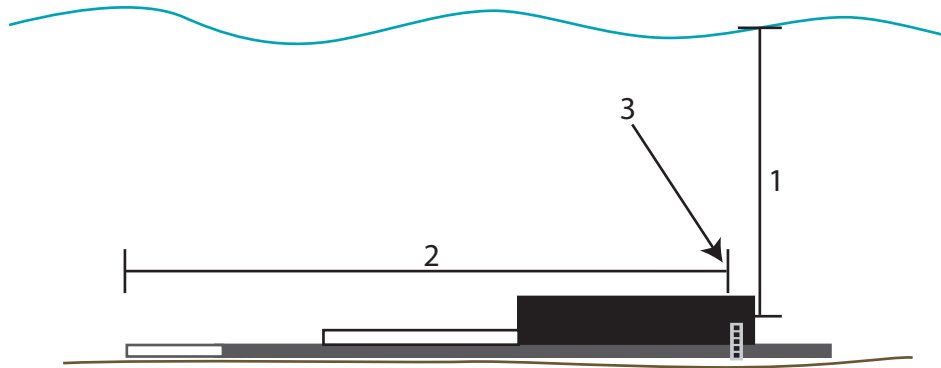


1. Measure from sensor to water level.
2. Measure from sensor to top of post.
3. Measure from sediment to top of post.
4. Take RTK point on top of post.

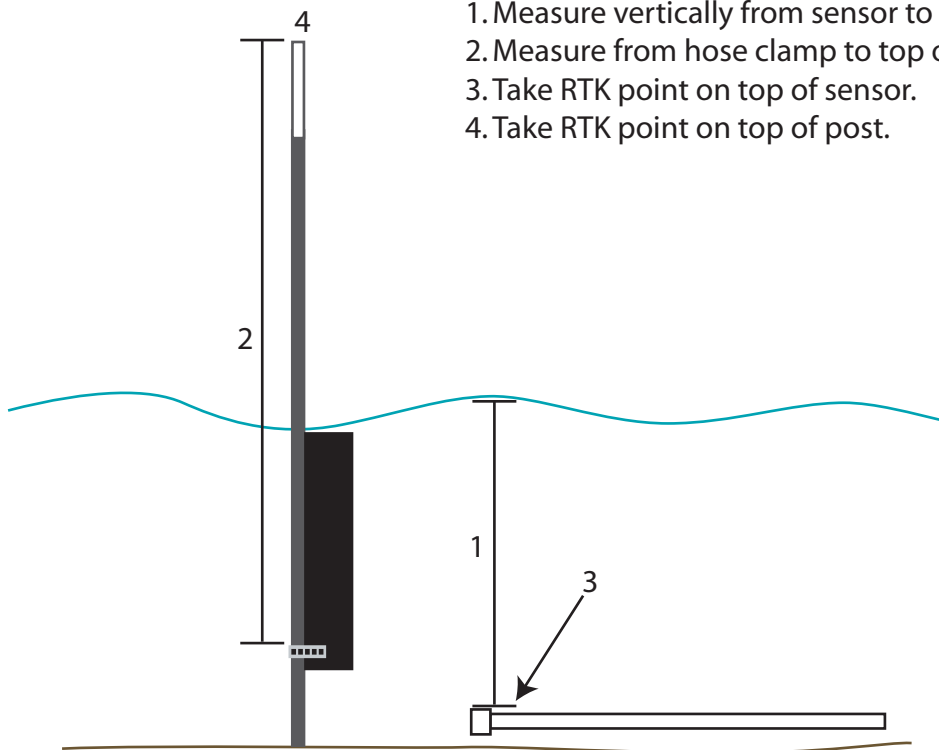
1. Measure from sensor to water level along post.
2. Measure vertically from sensor to water level.
3. Measure from sensor to top of post.
4. Take RTK point on top of sensor.
5. Take RTK point on top of post.

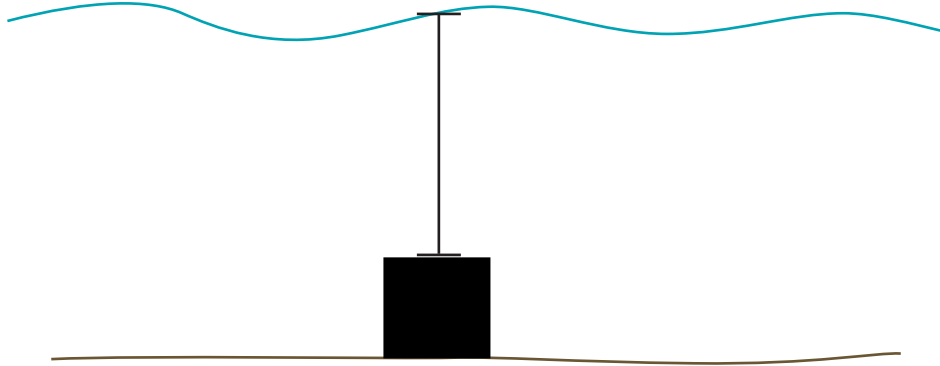


1. Measure vertically from sensor to water level.
2. Measure from sensor to top of post.
3. Take RTK point on top of sensor.



1. Measure vertically from sensor to water level.
2. Measure from hose clamp to top of post.
3. Take RTK point on top of sensor.
4. Take RTK point on top of post.





Sensor attached to piling

